

Russell Taylors

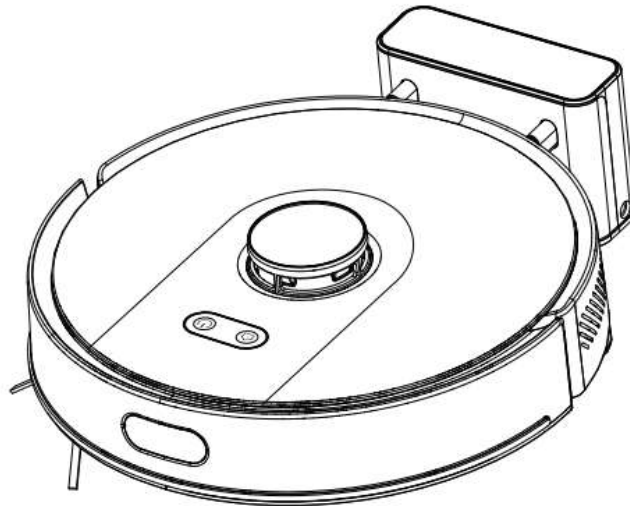
ROBOT VACUUM CLEANER
USER MANUAL

www.russelltaylors.co.uk

E-WARRANTY

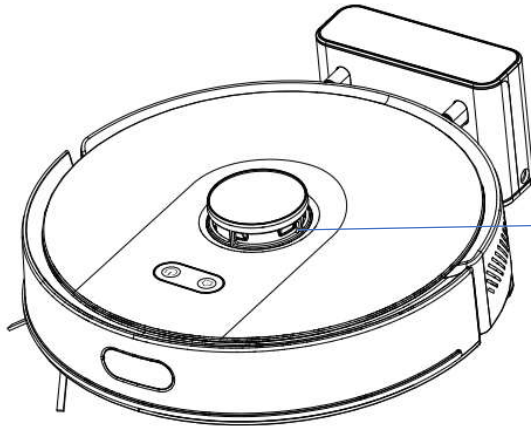


SCAN HERE



R10

Product Introduction



⏻ On off button/Cleaning/Pause

- Short Press to start cleaning/pause
- Long press to turn on/off

🏠 Recharge/Pause

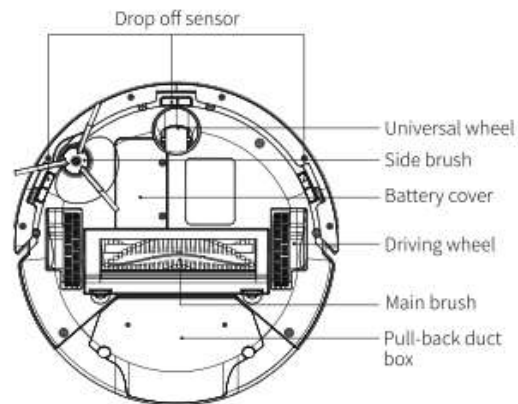
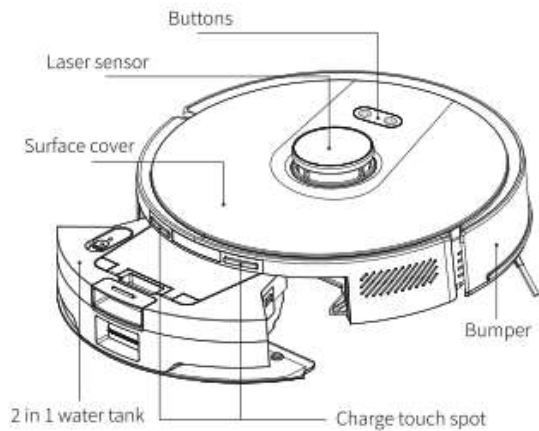
- Short Press to recharge/pause

→ Laser Head Impact Sensor

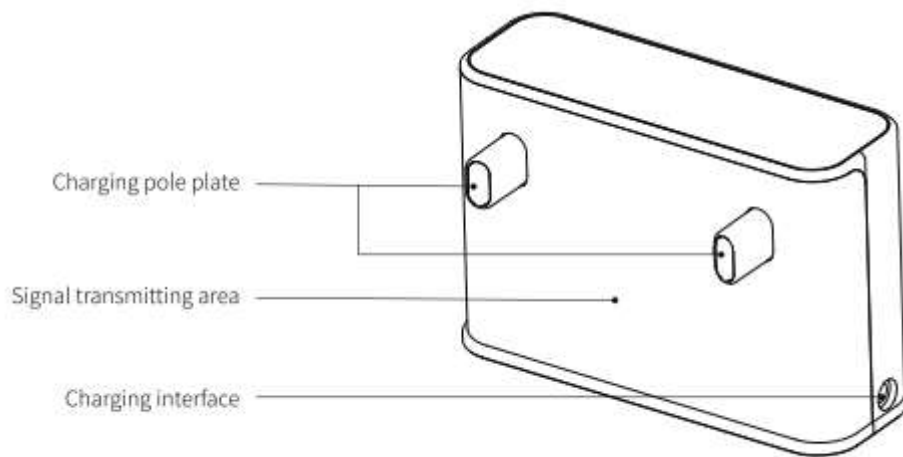
Laser Ranging Sensor

- White: Normal working/Charging
- Red: Abnormal state or low battery.

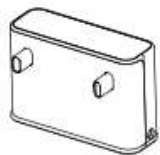
Sensor & Structure



Charging Base



Accessories List



Charging base × 1



Mop × 1



Cleaning brush × 1



Water dust integrated box × 1



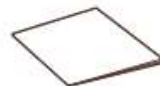
Mop cloth support × 1



Side Brush × 1



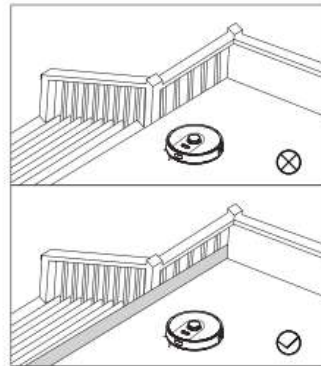
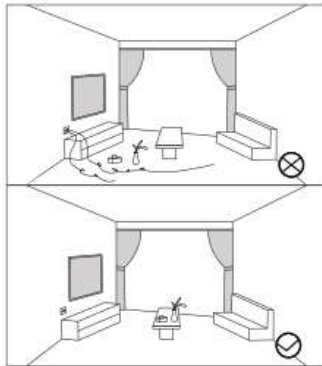
AC/DC Adapter × 1



Instructions × 1

Before First Use

1. Before starting the robot, clean the area of any scattered wires, hard, sharp objects on the ground and remove any items that may topple, are fragile, valuable and potentially dangerous. Avoid any personal injury or property damage that may be caused by machine entanglement, jamming, dragging or collision.
2. If the product is used in an elevated environment, ensure that there is a guardrail to prevent the robot from pushing items off the ledge.

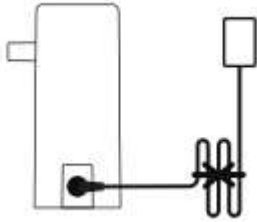


Reminder:


1. During the first cleaning process, it is recommended to follow the robot throughout the process to assist with some possible minor issues. Once the mapping has been familiarized, the robot will smoothly clean the surrounding in the future.
2. If some areas do not need to be cleaned or may jam the robot, you can set a restricted area on the Tuya app to prevent the robot from entering said area.
3. Do not let the robot suck hard or sharp objects otherwise it may scratch the interior and damage the robot.

Installation



1. Connect the power cable and tidy up the excess wire.




2. Do not move the charging dock casually and avoid direct sunlight on the charging station. Sunlight exposure can interfere with the signal coming from the charging dock and may prevent the robot from returning to the docking station.

3. Place to charging base against the wall on a flat surface and connect the power supply. Ensure that there is a 0.5M gap on both sides of the charging base.
4. To start up the robot, hold on to the  button for a few seconds to turn on the robot. Wait for the indicator lights to stop blinking and charge the robot with the docking station. The prompt "Start Charging" indicates successful docking. The robot will not start if there is insufficient battery.

Start Up/Power Down

Hold the  button for 3 seconds to start up the robot vacuum. To turn off the vacuum, ensure that it is in standby mode, then hold the  button for 3 seconds and the robot will shut down.

Cleaning/Pause

After the robot is turned on, press the  to start the cleaning process.


Note:

- The robot should not be used to clean up liquid.

- If the battery is below 15%, the robot will not complete the cleaning task and will return to the docking station to recharge.
- Tidy all kinds of cables on the ground before running the robot to avoid any damage.

Charging

Automatic Mode: After cleaning, the robot will automatically return back to the docking station to charge.

Manual Mode: In the paused state, press the  button to start the recharge process. You may also do so using the Tuya app on your smart phone.

Automatic Cleaning

Once you have started up the robot, it will first plan the cleaning path via edge and arch filling, to clean your space efficiently. After cleaning, the robot will return back to the charging base to recharge.



Suction Adjustment

You can choose between Quiet, Standard, Strong and MAX by using the Tuya app on your smart phone.

Water Level Adjustment

You can choose high, medium and low by using the Tuya app on your smart phone.


Appointment Cleaning

The Tuya app allows you to set up scheduled cleaning times and the host will automatically start cleaning at the specified timing.

Tuya App Installation

1. The Tuya app can be downloaded from the Apple App Store or Google Playstore.
2. Install the app and sign in. (You will need to create an account if you do not have one already).

Reset WIFI

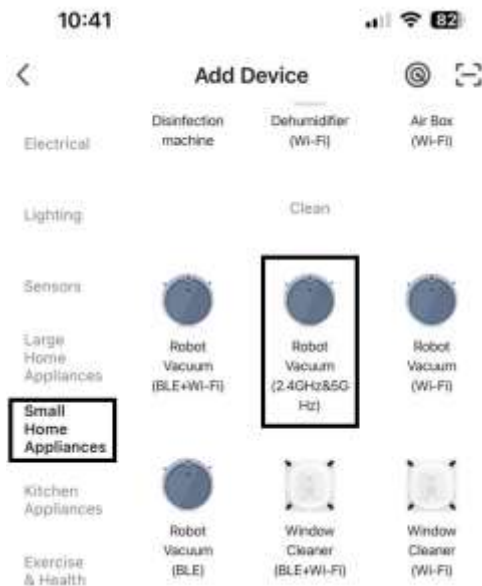
1. Once you have downloaded the app and logged in, you will need to reset the WIFI on your robot. To do so, hold on the  for 3 seconds until you hear the prompt "WIFI has been reset". The white lights of the power button will flash and the robot will enter the connection state.

Tips : Only WIFI networks in the 2.4Ghz band will support this function.

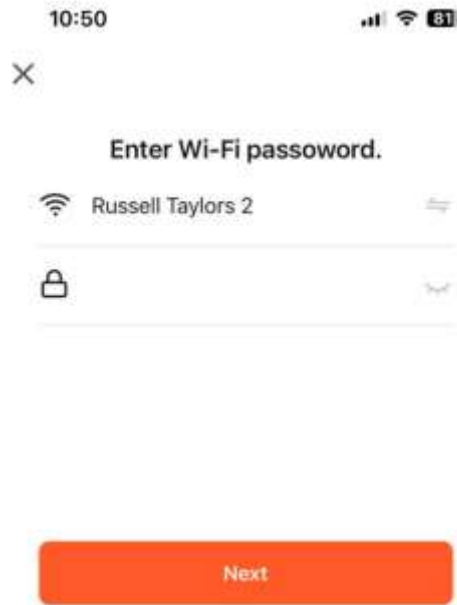
2. In the app, click on the “+” icon located on the top right of the screen.



3. In the add device page, select the “Small Home Appliance” on the left and scroll down to the “Clean” category. Select “Robot Vacuum (2.4Ghz & 5Ghz)”.



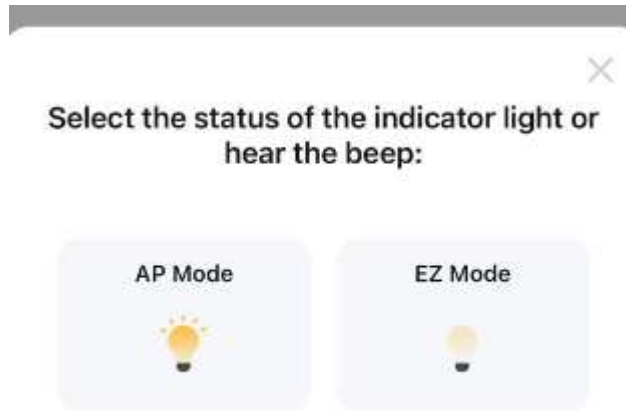
4. The app will prompt you to enter the Wi-Fi password of your household. Once the password has been entered, click next.



5. Confirm that the indicator light on the robot is blinking and click "Confirm"



6. After confirming that the lights on the robot is blinking, click on “AP Mode” to connect the robot to your household Wi-Fi.



7. Connect your mobile phone to the hotspot of the robot. Click "Go to Connect" and the app will bring you to your Wi-Fi page. Select network "Smartlife-XXXX".

Connect your mobile phone to the device's hotspot

- 1 Connect your phone to the hotspot shown below:



20

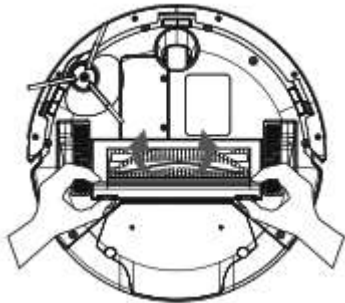
- 2 Go back and add devices.

8. After selecting the robot hotspot network, go back to the Tuya app to complete the connection.

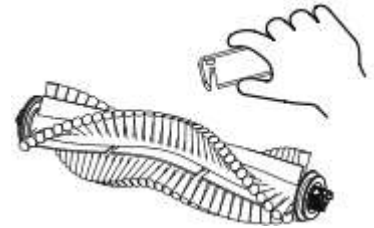
Daily Maintenance

Main Brush (Clean once a week)

1. Turn the machine over and press the buckle on the main brush cover to remove it.

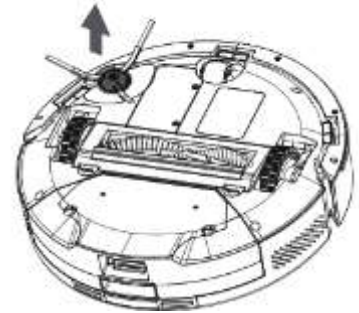


2. Remove the main brush
3. Use a cleaning brush to remove from the main brush and main brush cavity, then remove any entanglements from the main brush.



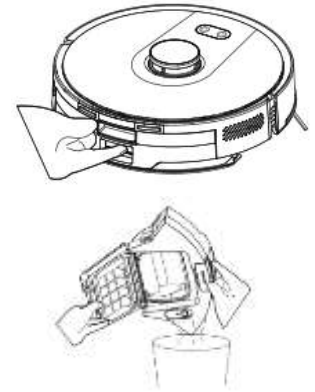
Side Brush (Clean once a week)

1. Turn the machine over and pull out the edge brush.
2. Remove tangled hair and dirt and reinstall it.



Dust box & Filter Screen

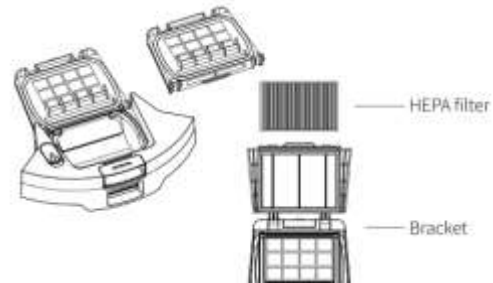
1. Press the button on the back of the robot and remove the dust box.
2. Press and hold the dust box switch to open and container and dump the dust and debris.



Clean the Dust Container

1. After a long period of use, remove the filter mesh & HEPA Filter.
2. Remove the primary effect filter and put the dust container under the faucet (The HEPA Filter cannot be washed)

3. After cleaning, make sur everything is dried and then place them back into the robot.



Water Tank

1. Do not use the mop function on a carpet. After the mop is completed, empty the water tank and remove the rag.



Russell Taylors