

Russell Taylors

E-WARRANTY



USER MANUAL SPOT CLEANER

www.russelltaylors.co.uk



SC20

Safety Instructions

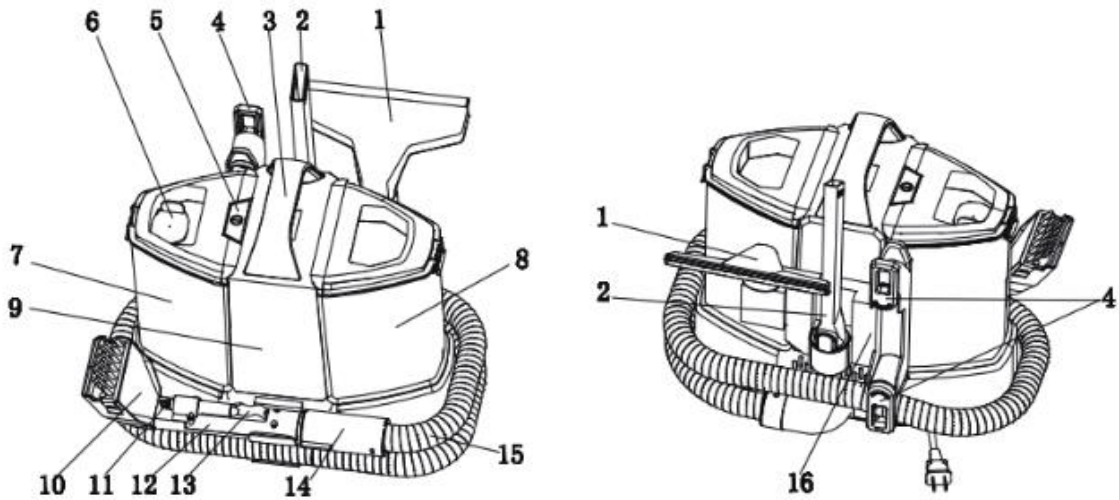
Warning: Basic safety precautions should always be observed when using an electrical appliance, including the following to reduce the risk of fire, electrical shock or injury.

- Store the vacuum in a dry place out of reach of children.
- The appliance is not intended for use by persons (including children) with reduced physical, sensory or mental capabilities, or lack of experience and knowledge, unless they have been given supervision or instruction concerning the use of this appliance by a person responsible to their safety.
- Children must be supervised to ensure that they do not play with the appliance.
- Use only the attachments provided in the packaging. Any misuse or use of any accessory or attachment that was not provided by Russell Taylors may present a risk of personal injury.
- Keep the appliance and accessories away from hot surfaces.
- Do not block the appliance openings or hinder air flow. Keep the openings free of any objects including dust, lint, clothing and fingers.

Product Warranty

- This appliance has been designed for domestic dry vacuum cleaning only. Any evidence of commercial use will result in void of warranty.
- The spot cleaner is backed by a 2-year manufacturing warranty.

Product Description



- | | |
|------------------------------|-------------------------------|
| 1. Glass Cleaning Brush | 9. Main Unit |
| 2. Long Crevice Nozzle Brush | 10. Brush for Carpet Cleaning |
| 3. Main Unit Handle | 11. Spray Nozzle |
| 4. Cord Winder Hook | 12. Spray Switch Button |
| 5. Power Switch | 13. Hose Connector |
| 6. Clean Water Tank Stopper | 14. Hose |
| 7. Clean Water Tank | 15. Accessory Rack |
| 8. Dirty Water Tank | |

Adding Water to the Clean Water Tank

Pull up the clean water tank to remove the tank as a whole. Remove the clean water tank, open the water tank cover and add in the water.

How to use the Spot Cleaner?

1. Press the power switch to start the machine. Press it once more to turn it off.
2. Hold the cleaning brush and hold the "Water Spray Button" at the bottom of the cleaning brush and it will spray water. Release the button and the spray stops.
3. Spray water on the stained area on the surface. Wipe it repeatedly with the brush after spraying. Suck the stain and waste water and do it repeatedly to remove the stain.

4. This product can be used with **non-foaming cleaning solution**, which can be mixed with water and poured into the water tank for better cleaning effect.

Note: Do not use a foamy solution as this may cause leakage from the dirty water tank.

Attachments Provided

1. Glass Cleaning Brush Head
 - a. For cleaning mirrors or windows and large area of stains.



2. Carpet Cleaning Brush Head
 - a. For cleaning carpets or sofas with stains.



3. Long Flat Crevice Nozzle Brush Head
 - a. Suitable for cleaning corners of the wall, door, window or dust on sofas, tables and chairs.

2



CLEANING INSTRUCTIONS

- Brush
 - When the brush is entangled by hair or blocked by dirt, clean and maintain it in time.
 - When the brush is blocked, remove the transparent cover on the top of the brush and use a tool to clean the air duct inside the brush handle.
- Hose
 - Remove the brush head and place the hose directly into the Clean Water Tank Stopper. Once placed, turn on the Spot Cleaner and the water will be sucked up into the hose and into the dirty water tank.
- Dirty water tank
 - Clean the waste water tank after each use to maintain the performance and hygiene of the product. If there is excess waste water, the suction will be weakened.
 - To disassemble the tank: Pull up the dirty water tank and remove the tank as a whole, remove the tank cover, open the cover and clean the waste water tank.

