

Russell Taylors

E-WARRANTY

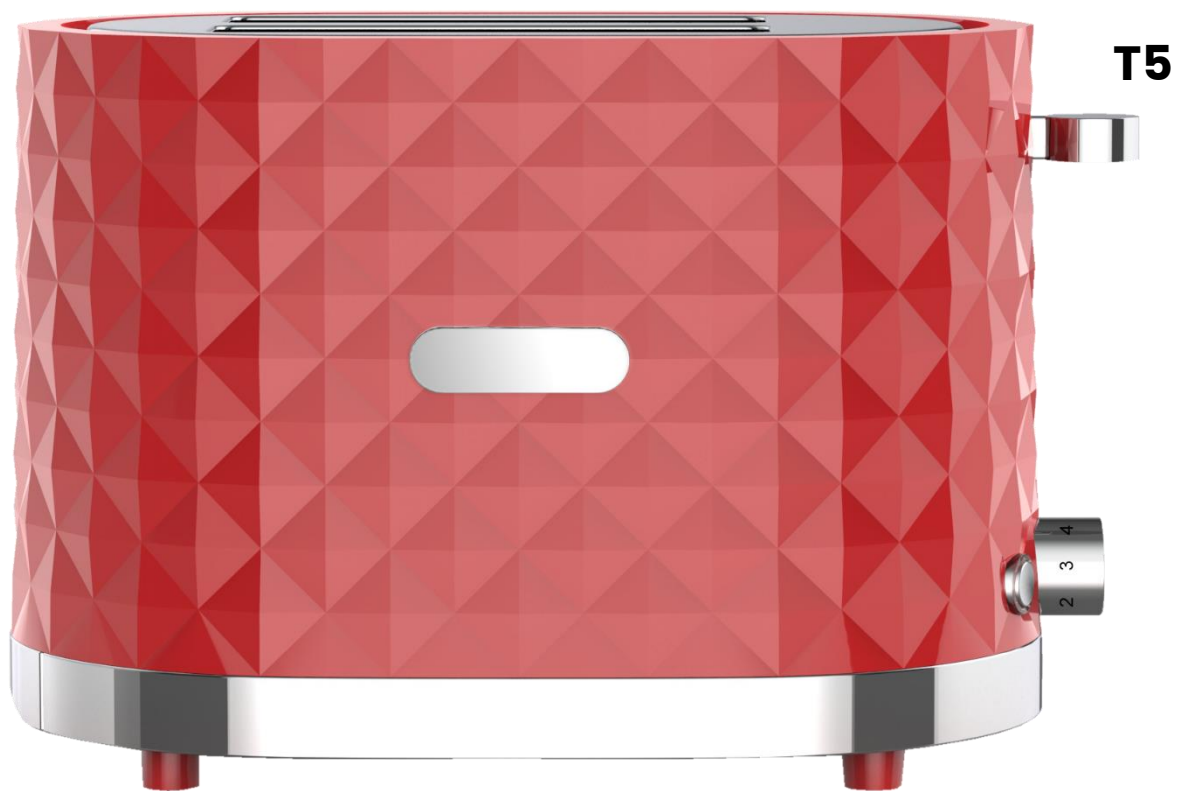


SCAN HERE

USER MANUAL

www.russelltaylors.co.uk

DIAMOND TOASTER



This product is backed by a 2-year warranty against manufacturing defects. Any commercial use will result in warranty void. Please contact us at support@russelltaylors.com for warranty claims.

RT

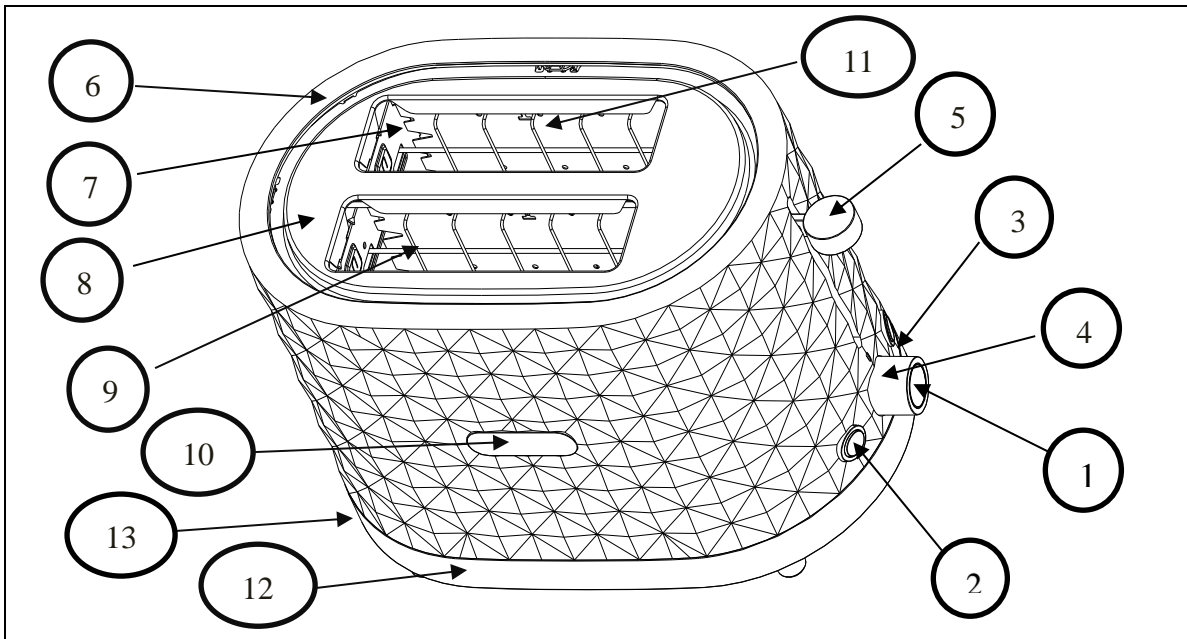
IMPORTANT SAFEGUARDS

When using electrical appliances, basic safety precautions should always be followed to prevent the risk of fire, electric shock, burns, or other injuries or damages. Please read all instructions before use.

1. This appliance can be used by children aged from 8 years and above and persons with reduced physical, sensory or mental capabilities or lack of experience and knowledge if they have been given supervision or instruction concerning use of the appliance in a safe way and understand the hazards involved. Children shall not play with the appliance. Cleaning and user maintenance shall not be made by children unless they are older than 8 and supervised.
2. Keep the appliance and its cord out of reach of children less than 8 years
3. Appliances are not intended to be operated by means of an external timer or separate remote-control system.
4. When cleaning the top surface, unplug the unit from the outlet and allow to cool before cleaning. Wipe the surface on the top of the bread slots with a damp cloth and dry it with another cloth or paper towel.
5. When cleaning the crumb tray, the removable crumb tray is located on one side at the bottom. Grasp the handle of the crumb tray and pull out completely. Dispose of crumbs and wash the tray in hot, soapy water. Stubborn spots can be removed with a nylon mesh pad. The tray is not safe for dishwasher. Dry the tray thoroughly and naturally before re-inserting into its slot in the toaster.
6. Warning: Empty the crumb tray frequently. Crumbs will accumulate in the crumb tray and could catch fire if not emptied periodically.
7. The outer surface may get hot when the appliance is operating.
8. The bread may burn, therefore do not use the toaster near or below combustible material, such as curtains.
9. If the supply cord is damaged, it must be replaced by the our technician in order to avoid a hazard. Please contact us at support@russelltaylors.com.
10. The temperature of accessible surfaces maybe high when the appliance is operating.
11. Surfaces are liable to get hot during use, DO NOT touch hot surfaces.
12. To protect against electrical shock, DO NOT immerse cord, plug, or any non-removable parts of this toaster in water or other liquid.
13. DO NOT operate any appliance with a damaged cord or plug, or after the appliance malfunctions or has been damaged in any manner. Call the appropriate toll-free number for examination, repair, or adjustment.
14. The use of accessory attachments not recommended or sold by the appliance manufacturer may cause injuries.
15. DO NOT use outdoors. THIS APPLIANCE IS FOR HOUSEHOLD USE ONLY.
16. NEVER let cord hang over edge of table or counter or touch hot surfaces.

17. DO NOT place on or near a hot gas or electric burner, or in a heated oven.
18. DO NOT use toaster for other than intended use.
19. Oversized breads, metal foil packages, or utensils must not be inserted in a toaster, as they may create a fire or risk of electric shock.
20. DO NOT attempt to dislodge bread when toaster is plugged in.
21. DO NOT operate toaster unattended.
22. Risk of fire if the crumb tray is not cleaned regularly.
23. DO NOT use metal scouring pads for cleaning. Pieces can get broken, and there is a risk of electric shock if the pad comes in contact with electrical parts.
24. DO NOT cook, warm or toast rice cakes, fried breads or non-bread items.
25. SAVE THESE INSTRUCTIONS.

PARTS:



1	Stop Button	7	Heating Element
2	Reheat Button	8	Top Cover
3	Defrost Button	9	Net
4	Bread Browning Level	10	Logo
5	Push Knob	11	Toasting Slots
6	Housing	12	Decorative Ring
		13	Crumb Tray

HOW TO USE

Before first use

1. Remove all packaging material, labels and/or stickers from your toaster. Make sure there is no packaging material remaining in the slots.
2. Insert the removable crumb tray into the crumb tray slot.
3. Select a location for the toaster. The location should be:
 - A flat, heat-resistant, non-flammable surface
 - At least 3 inches away from walls or back of the countertops
 - At least one foot away from cabinet or shelving that may be above the toaster
 - Away from flammable materials, such as curtains and wall fabric
 - Away from a gas stove flame or electric element

Using your Toaster

1. Most types of the breads can be toasted. However, the slice should not be approximately 100mmx100mmx10mm, otherwise taking out is related with a risk of burning.
2. The slice should be placed in the center of the slot.
3. After insert the bread into the slots, select the designed darkness setting (toasting time) by the Bread Browning Lever and press the Push knob down until it locked. The auto-adjusting bread guides (located inside the toasting slots) will automatically center the bread for even browning. After the designed darkness setting is over, the bread will pop up automatically and the Push knob and auto-adjusting bread guides will return to its original position.
4. The surface of the net, the heating element, the toasting slots, or the side cover is hot, so, removing the toasted bread must be carefully.

Warning:

1. Toasted bread can be very hot. Handle with care.
2. Unplug the cord and move the Push knob up and down a few times to raise "jammed" bread.
3. Never use metal utensils to free bread.
4. Never insert your finger or metallic utensils into the bread slots or net.

Russell Taylors