

Russell Taylors

USER MANUAL
CORDLESS VACUUM CLEANER
www.russelltaylors.co.uk

E-WARRANTY



X4

SAFETY INSTRUCTIONS

Warning: Basic safety precautions should always be observed when using an electrical appliance, including the following to reduce the risk of fire, electrical shock or injury.

- Store the vacuum in a dry place out of reach of children.
- The appliance is not intended for use by persons (including children) with reduced physical, sensory or mental capabilities, or lack of experience and knowledge, unless they have been given supervision or instruction concerning the use of this appliance by a person responsible to their safety.
- Children must be supervised to ensure that they do not play with the appliance.
- Use only the attachments provided in the packaging. Any misuse or use of any accessory or attachment that was not provided by Russell Taylors may present a risk of personal injury.
- Keep the appliance and accessories away from hot surfaces.
- Do not block the appliance openings or hinder air flow. Keep the openings free of any objects including dust, lint, clothing and fingers.

Electrical Safety

- Only use the battery and charger supplied in the original packaging, The appliance is only to be used with the power supply unit provided in the packaging.
- Do not modify the charger.
- The charger has been designed for a specific voltage. Always check the voltage is same as what is stated on the rating plate.
- Before using, check if the charger cord has any signs of damage.
- Do not abuse the charger cord.
- Do not wrap the cord around the charger when storing.
- Keep the charger cord away from hot surfaces and sharp edges.

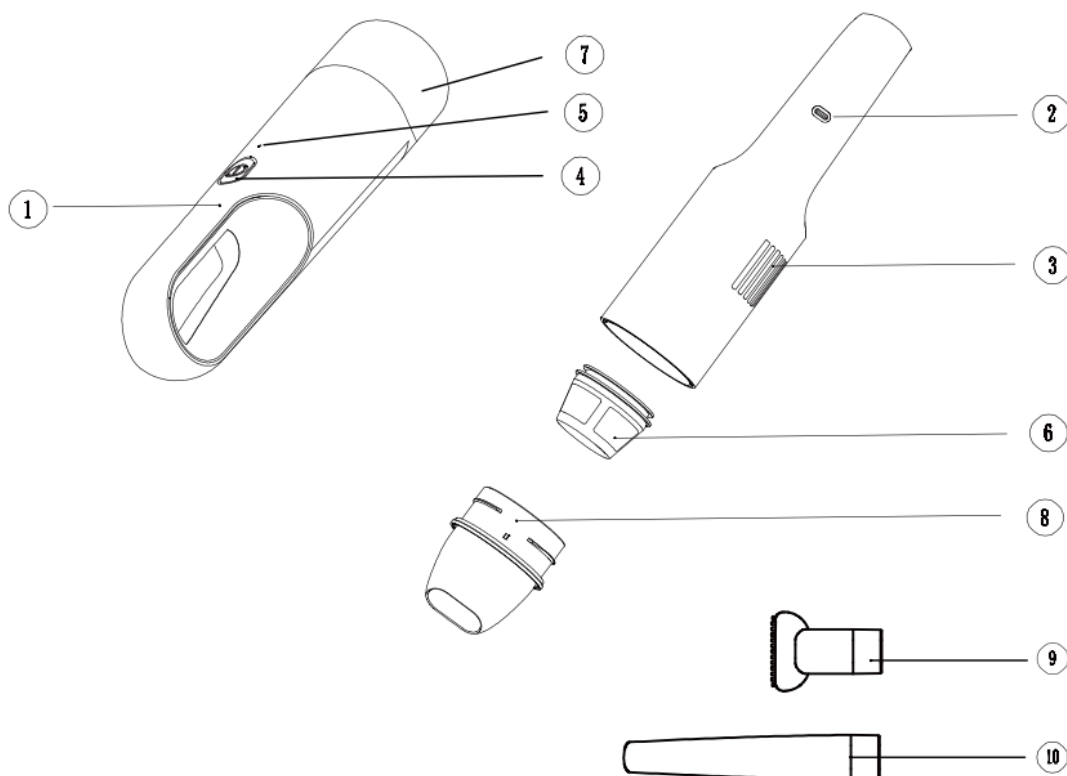
Battery Safety

- This appliance includes Li-ion batteries. Do not expose it to high temperature or it may explode.
- Lithium-ion batteries perform best when they are kept at a moderate state of charge and are not allowed to discharge (Battery level reaches 0%). To increase the lifespan of the battery pack, do not allow the battery to reach 0% and recharge the battery regularly.
- The batteries are not replaceable. If you have a defective battery pack, please contact the Russell Taylors service team at support@russelltaylors.com.

Product Warranty

- This appliance has been designed for domestic dry vacuum cleaning only. Any evidence of commercial use will result in void of warranty.
- The vacuum cleaner is backed by a 2-year manufacturing warranty (The battery pack is covered by a 6-month warranty).

PARTS & ACCESSORIES



1. Motor
2. USB Charging Port
3. Air Outlet
4. Power Switch
5. Indicator
6. Stainless Steel Mesh Filter & HEPA Filter
7. Dust Container Cover
8. Dust Container
9. Dust Brush
10. Crevice Tool

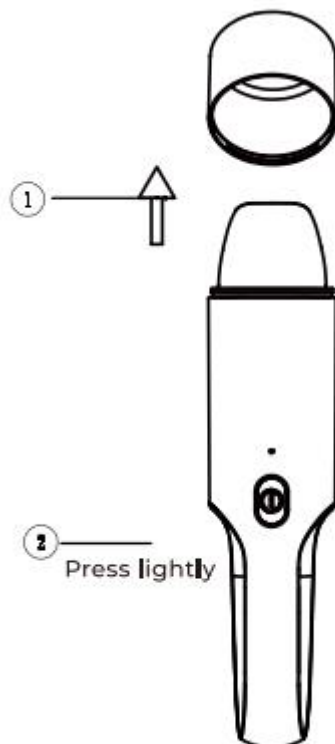
OPERATION INSTRUCTIONS

How To Charge:

This product will be charged via USB Cable.

How To Use:

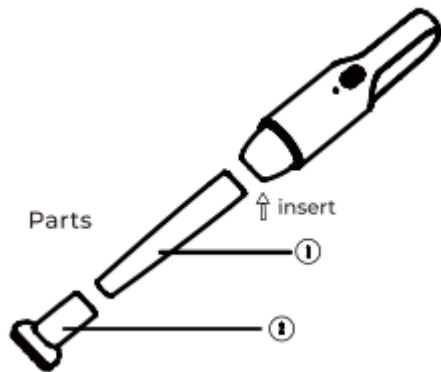
1. Remove the cover.
2. Press the switch button to turn it on.



CLEANING & MAINTENANCE

Accessories provided with the product are installed on the suction nozzle.

1. The flat crevice tool is for cleaning corners or compact spaces.
2. Dust brush can be used to clean soft surfaces.



How To Clean Up:

You will need to clean the vacuum cleaner regularly.



1. Open the dust container by rotating the suction nozzle.
2. Remove the filter from the dust container and clear the dust.
3. If required, use a wet cloth to clean the dust container. The filter can be washed with water and dried naturally.
4. To re-install the suction nozzle, put the filter into the suction nozzle and tighten it in the opposite direction with reference to step 1.