

# Russell Taylors

E-WARRANTY



## CORDED VACUUM CLEANER USER MANUAL

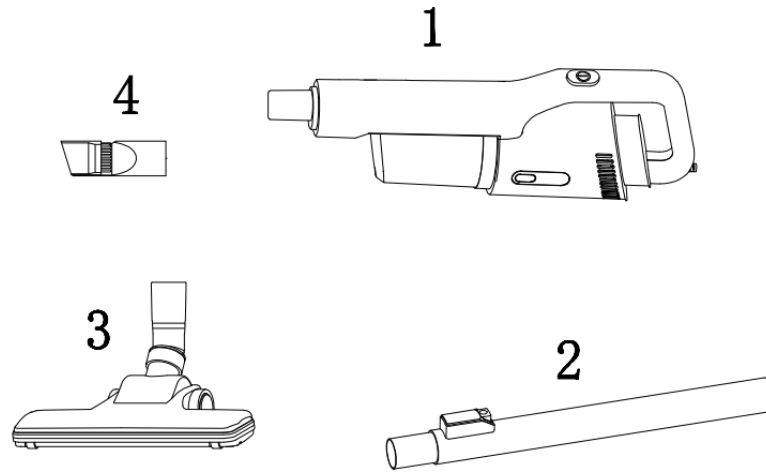


**V1**

1. Read these Instructions carefully before first use.
2. Before use, check that the voltage required for this product is consistent with the voltage in your home.
3. Do not use this product outside the specified range.
4. Use it according to the design function of a vacuum cleaner.
5. This product is not intended to be used by the following populations (including children): physically and mentally impaired or lacking knowledge of relevant operation experience, unless there is a person responsible for its safety to supervise and guide their use of this product.
6. This product is a dry vacuum cleaner. Please do not use the vacuum cleaner to suck detergent, kerosene, glass, needles, water-wet dust, sewage, matches and other articles.
7. Please do not leave the vacuum cleaner close to a fire source and other high humidity places.
8. Do not use a vacuum cleaner to suck water and other liquids, and do not flush the vacuum cleaner with water.
9. When you need to clean or repair the vacuum cleaner, unplug the power plug and do not pull the power cord
10. When using a vacuum cleaner, be careful not to block the suction port, otherwise it will cause the motor to overload and damage the motor.
11. When using the vacuum cleaner, please pay attention to install the dust grid rack, so as not to let dust into the motor.

12. Please do not use vacuum cleaner to suck cement, gypsum powder or wall powder, otherwise it will cause the vacuum cleaner filter to be blocked, resulting in the motor burning and other faults.
13. When cleaning the vacuum cleaner, use a wet cloth containing water or neutral detergent. Do not use gasoline, oil, etc., otherwise it causes the shell to crack or fade.
14. Please read the instructions and diagram carefully before using this product
15. Please dispose of the product properly and do not let children play with it.
16. If the power cord is damaged, it must be replaced by the manufacturer, its maintenance department, or a similar professional in order to avoid danger.
17. Do not use high-power appliances on the same line to prevent circuit overload and danger.
18. Do not use the product if there is any damage.
19. Do not use the product if there is any damage to the product.

## Product Composition



- 1. Main engine
- 2. Connecting tube
- 3. Floor brush
- 4. 2 in 1 flat brush

## Installation Instructions

1. First insert the connecting tube (2) into the air suction port of the main engine (1), then insert the floor brush tip (3) into the connecting tube (2), after completed, it is shown as Figure 1.

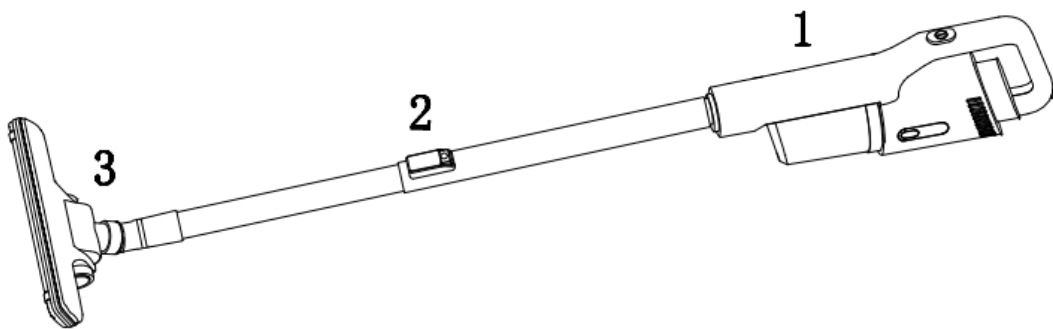


Figure 1

Hand-held (does not require handle)

1. Grasp the handle position of the vacuum cleaner by hand, insert the 2 in 1 flat brush (4) into the vacuum port of the main engine (1), as shown in Figure 2.

2. Plug the power socket and turn on the vacuum cleaner to start using.

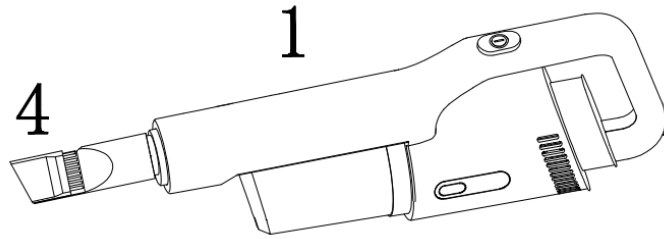


Figure 2

1. Turn off the power switch after use and pull the plug from the socket, then wrap and collect the power cord.
2. Plug the power socket, press the switch to carry out handheld cleaning and dust removal.
3. Note: The floor brush is suitable for under your table, the lower range of the cabinet, and the 2-in-1 flat suction/round brush is suitable for the small range of fine seams such as sofa, table and chair, and curtains.

# Cleaning and Maintenance

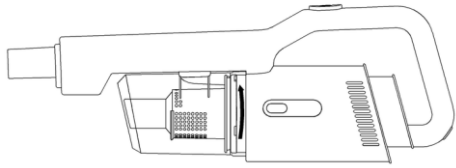
**Note: Please unplug the power plug before cleaning and maintenance**

Use and Maintenance:

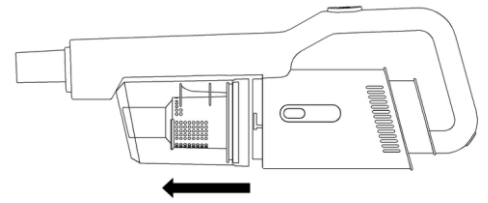
Cleaning of filter components (Turn off power before cleaning)

When the suction force is weak, the reason may be that the dust collector and filter assembly are full of dust, and the filter screen should be cleaned immediately.

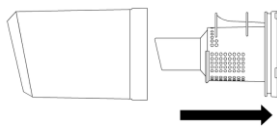
1. Remove the dust cup.
2. Clean the dust cup. Take the filter cartridge out of the dust cup and separate it. It can be reused after the dust container is cleaned and reinstalled (Figure 4). Because the filter will be naturally lose its effectiveness, please replace the filter regularly. If you need to purchase it, please contact the after-sales service team.
3. After each use, clean the dust in the dust cup to avoid accumulation of dust or breeding of bacteria. As shown in Figure 5



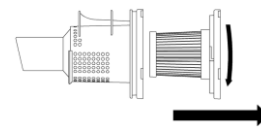
Step 1: Unscrew the dust cup counterclockwise  
the cup by hand



Step 2: Remove



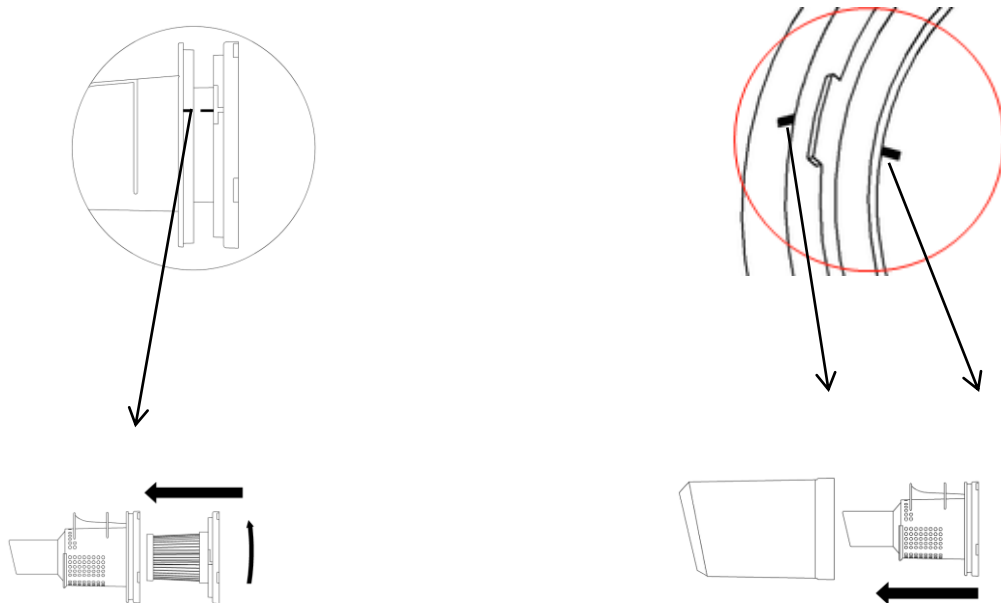
Step 3: Remove the plastic filter by hand



Step 4: Unscrew the HEPA filter  
counterclockwise and remove  
the HEPA filter

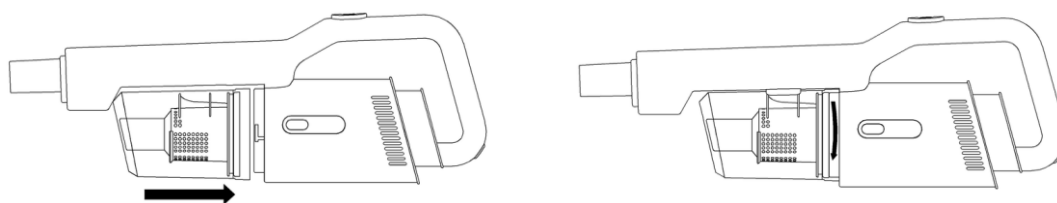
**Figure 3**





Step 1: Place the HEPA filter into the plastic filter

Step 2: Place the plastic filter into the dust cup and tighten the filter clockwise.



Step 3: Place the dust cup on the main engine

Step 4: Tighten the dust cup clockwise

#### Figure 4

4. After the dust cup is removed, thoroughly clean the dust cup and filter cylinder (It can be washed with water but it must be dried before use). As shown in Figure 5

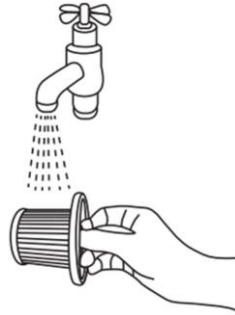


Figure 5

<b>Problem</b>	<b>Possible Cause</b>	<b>Solution</b>
Product does not work	The power outlet has no power	Check for power by testing the power outlet with other appliances
	The plug is not installed properly into the electrical outlet	Insert plug into the electrical outlet
	The product is not turned on	Press the power button
The appliance has a low suction	The dust container is full	Empty the dust tank
	Filter is clogged	Clean the filter
Dirt escapes from the vacuum cleaner	The dust container is full	Empty the dust tank
	The dust container is not properly sealed	Make sure the dust compartment is correctly installed after emptying it
The vacuum is very noisy and vibrates during operation	The dust container is full	Empty the dust tank
The device turns off by itself while turned on	The vacuum has overheated	Empty the dust tank and wait for the appliance to cool

## **Use and Maintenance**

Caution! Check that the vacuum cleaner is not plugged in before handling all maintenance and handling accessories.

- To optimize the vacuum cleaner capacity, the vacuum cleaner must be cleaned frequently.
- If the machine is dilapidated or damaged, please contact the service center.
- When the vacuum cleaner is used, clean the dust collector immediately to maintain optimal suction during the next use.