

Russell Taylors

E-WARRANTY



SCAN HERE

USER MANUAL

DUST MITE VACUUM

www.russelltaylors.co.uk



VM20

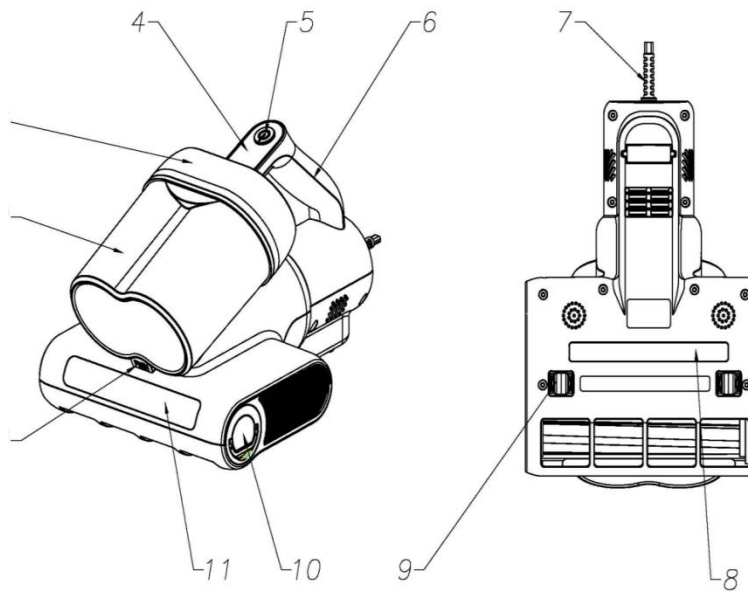
SAFETY INFORMATION

Do not look directly into the illuminated UV lamp at any time to avoid injury.

1. UV rays can damage the skin and eyes of humans and animals. Please do not use it directly on humans, plants, and animals.
2. Please do not intentionally damage the roller (safety switch) at the bottom of the product so that the UV lamp loses protection. The UV lamp will only turn on when the roller is pressed in.
3. Please unplug the power supply when not in use or before servicing.
4. To reduce the risk of electric shock, do not use it outdoors or on a wet surface.
5. Please use according to this manual. Only use the functions recommended in this manual.
6. Do not use when the plug or power cord is damaged. When the product is dropped, damaged, placed outdoors or dropped into water, and cannot work, please send it to the service department for repair.
7. This product is for general household use, please do not use it for commercial or other purposes as it will result in loss of warranty.
8. Try not to absorb sharp and hard objects such as glass, screws, and construction waste to avoid damage to the machine.
9. Do not use the power cord as a handle, or pull it against sharp edges. Do not place the machine on hot surfaces.
10. Do not use when any air ducts are blocked. Otherwise, the motor will be damaged. When storing, keep away from dust, lint, hair, and anything that could block and reduce air flow.
11. Please do not keep hair or any part of clothing in contact with the openings and moving parts of the machine for a long time.
12. Before pulling out the power plug, please turn off the machine switch.
13. Do not absorb any burning or smoking objects, such as cigarette butts, matches or hot ashes.
14. Do not use without the dust cup or filter installed, otherwise the motor will be damaged.
15. If the power cord is damaged and the power cord needs to be replaced, it must be replaced by a professional or at a designated maintenance point.
16. Some special groups are not suitable for using this product, such as children, people with disabilities, people with mental illness or people who lack

experience and knowledge. Unless they are using the product under supervision and ensuring safety. Please ensure that children do not use this product as a toy.

Product Diagram



1. Dust cup lock button
2. Dust cup assembly
3. Host power switch
4. Power switch
5. Host handle
6. Power cord
7. UV light
8. UV protection switch
9. Tap roller brush
10. Roller brush
11. LED Lights

OPERATING INSTRUCTIONS

1. Insert the power cord plug into the socket to turn on the power, lightly press the power switch, and the machine will turn on. When the machine is placed on the work surface (sheets, quilts), the UV light will turn on, lift the machine up to turn off the UV light and press the power button again to switch off the vacuum.

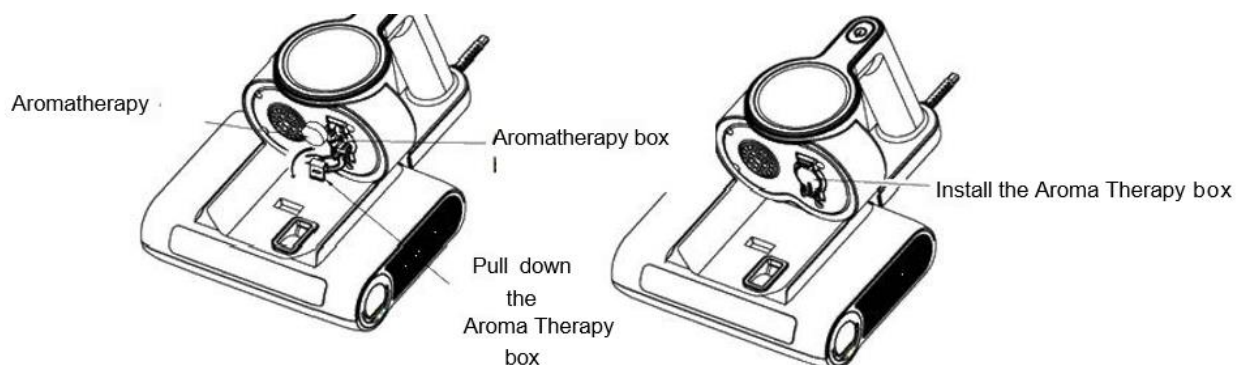
NOTE: The UV light will only turn on when the wheels underneath the vacuum are engaged (pressed in). This is a safety measure to ensure that your skin is not exposed to the UV light.

2. Place the vacuum on the item to be cleaned (such as a bed), and slowly push and pull the machine back and forth to perform the cleaning. (It is recommended that the cleaning speed be less than 20 seconds per meter, and go back and forth three times).

3. The host of the machine is equipped with an installation box for aromatherapy tablets. Users can choose aromatherapy tablets of the same specification, which can keep the indoor environment with a fresh fragrance after use.

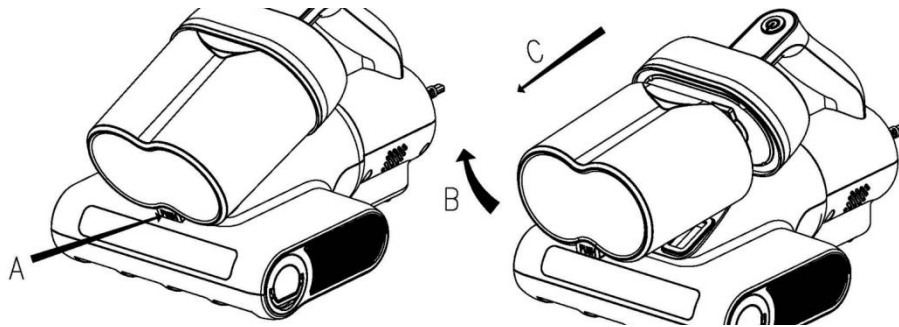
Aroma Diffuser Placement and Replacement Method

After separating the dust cup assembly from the main unit according to the method in the cleaning and maintenance section, lift the aroma diffuser cover as shown in the diagram below, put in the aroma diffuser tablet (18.5in diameter and 6.5in thickness) and press the aroma diffuser cover into the holder. Reinstall the dust cup assembly to the position of the host.

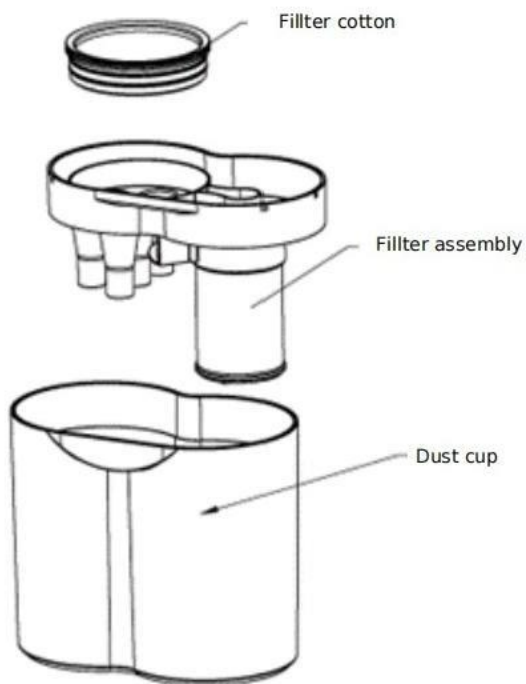


CLEANING & MAINTENANCE

Press the dust cup lock button "A" as shown in the picture below, cover the dust cup at the same time and rotate in the direction of "B" as shown in the picture to lift the head of the dust cup. After the lock is unhooked, pull in the direction of C to remove the dust cup simultaneously.

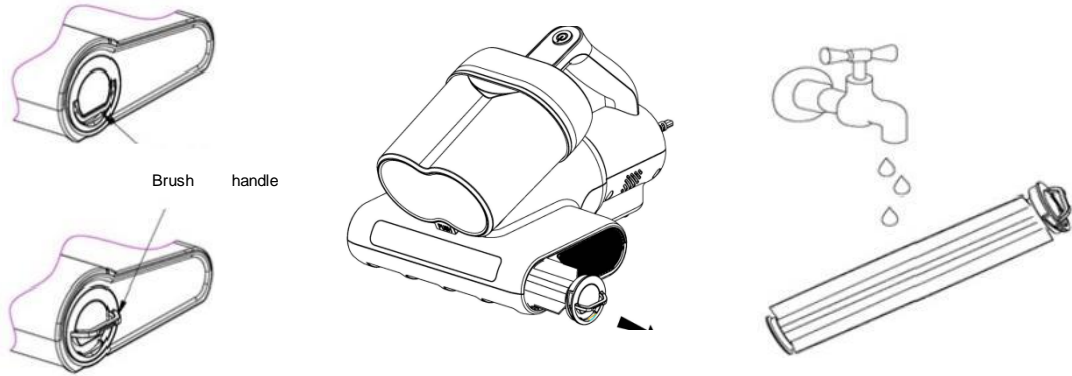


Remove the dust cup cover assembly as shown in the picture below, then remove the fine cotton filter as shown in the picture, wash it with water, dry it and put it back, then close the cover again.



Cleaning the Roller Brush

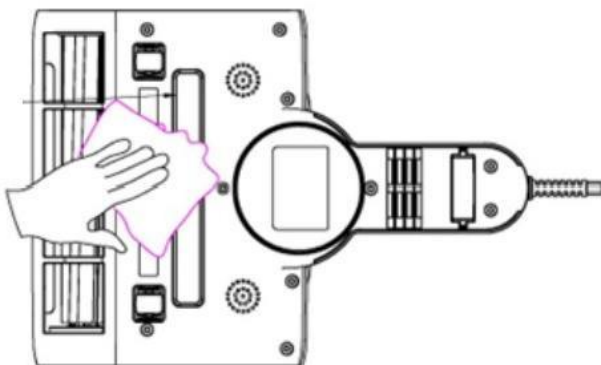
Open the small handle at the end of the roller brush assembly as shown in the image below and pull it out.



When installing the brush back, push the roller brush assembly inward through the installation hole of the casing. When a clear “click” sound is produced, the roller brush assembly has slid into the installation position. At this time, the end is aligned with the casing and installed in place.

UV LAMP CLEANING

Please wipe the transparent cover of the UV lamp before use to ensure the best sterilization effect. Do not look directly at the sterilizing light when it is on and never shine the germicidal lamp directly on your skin.



TROUBLESHOOTING

Problem	Possible Cause	Solution
Does not work	The plug is not inserted properly.	Re-insert the plug and make sure it fits.
	There is no power in the socket.	Try changing to another socket.
	Machine Damaged.	Contact the Russell Taylors Service Centre.
Product makes an abnormal sound and has low suction	The air duct is blocked by dust or debris.	Take out the dust cup and clean out the dust.
Poor Suction	It is full of dust or the filter is dirty	Clean the filter and remove all dust from the fine cotton filter.
UV Light does not work	The safety switch (roller wheel) is not in contact with the surface	The UV light will only work if the roller wheel is in contact with the surface.
	UV Light Damaged	Contact the Russell Taylors Service Centre.
Roller Brush does not work	Hair or other debris have become stuck in the brush	Take out the roller brush to clean up.
	Damaged circuit board	Contact the Russell Taylors Service Centre.